

## MANIFOLDS

Recommended for simultaneous filtrations improving the laboratory efficiency.

- Stainless steel AISI 304 manifolds.
- Available with 3 or 6 filter funnels.
- The funnels have a capacity of 100 ml or 500 ml.
- The vacuum in each funnel can be controlled using the valve on the lower part of the manifold.
- The stainless steel frit ensures a homogeneous distribution of the bacteria or retained particles on the membrane filter surface.
- Funnels and frits can be disinfected by flaming.
- Special polished stainless steels surfaces allow easy cleaning and rinsing.
- Long lifecycle.



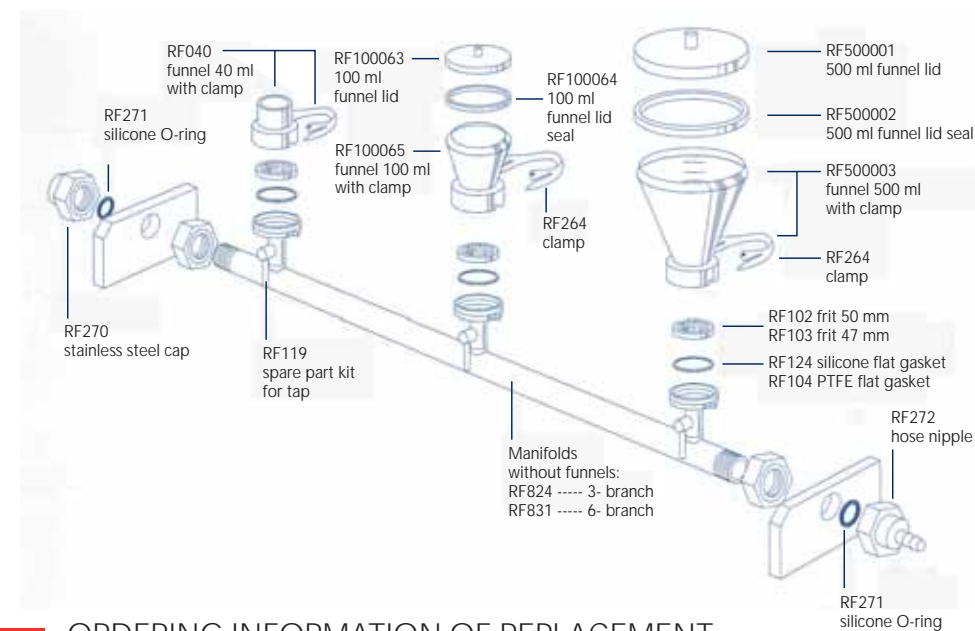
### TECHNICAL INFORMATION

<b>Stainless Steel quality</b>	B.S. 301S31 / AISI 304
<b>Dimensions</b>	RF3100: 432 x 184 x 120 mm RF3500: 442 x 262 x 132 mm RF6100: 906 x 268 x 120 mm RF6500: 916 x 329 x 132 mm
<b>Max. operating pressure</b>	Vacuum or max. 2 bar pressure (29 psi)
<b>Sterilisation</b>	By autoclaving (max. 134 °C) By dry heat (180 °C) By flaming By other methods acc. to ISO 8199
<b>Materials</b>	Stainless Steel: lid, funnel, base part, filter support, clamp and tap. Silicone flat gasket. Silicone lid seal.
<b>Flow rate per filter station for water at 90 % vacuum</b>	200 ml/min with 0.2 µm membrane filter 600 ml/min with 0.45 µm membrane filter
<b>Filtration area</b>	12.5 cm <sup>2</sup>
<b>Suitable membrane filter diameter</b>	47 mm and 50 mm
<b>Outlet (branches only)</b>	Hose nipple, DN 10

### ORDERING INFORMATION

Reference	No. funnels	Funnel capacity (ml)
RF-3-100	3	100
RF-3-500	3	500
RF-6-100	6	100
RF-6-500	6	500

### REPLACEMENT PARTS FOR MANIFOLDS



### ORDERING INFORMATION OF REPLACEMENT PARTS FOR MANIFOLDS

Reference	Description
RF040	Funnel 40 ml with clamp
RF100063	Stainless steel lid for 100 ml funnel
RF100064	Silicone lid seal for 100 ml funnel
RF100065	100 ml stainless steel funnel with clamp
RF500001	Stainless steel lid for 500 ml funnel
RF500003	Silicone lid seal for 500 ml funnel
RF500002	500 ml stainless steel funnel with clamp
RF264	Clamp
RF119	Spare part kit for tap (leaf spring, washer, lock washer)

Reference	Description
RF102	Stainless steel frit, Ø 50 mm
RF103	Stainless steel frit, Ø 47 mm
RF104	PTFE flat gasket
RF124	Silicone flat gasket
RF270	Stainless steel cap
RF271	Silicone O-ring 16 + 2 mm
RF272	Hose nipple
RF824	Manifold without funnels 3 branch
RF831	Manifold without funnels 6 branch

